

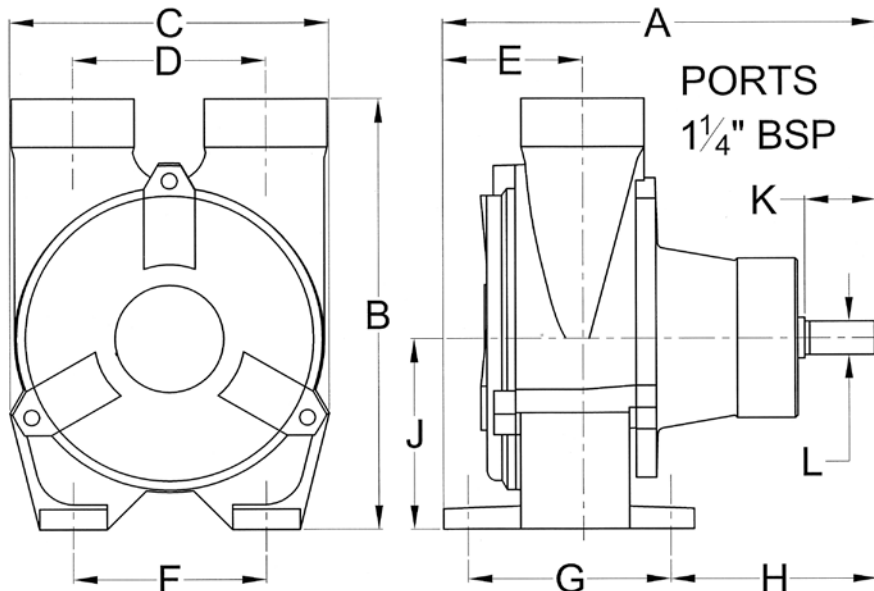
**PERFORMANCE**

Model	Maximum flow rate			Maximum head	
	l/min	cu.m/hr	gall/min	metres	feet
PC32B14	133	8	29	22.5	74

Maximum power absorbed 0.9kW at 2500rpm

**DIMENSIONS IN MM (APPROX.)**

**WEIGHT: 6.8kg**



A	B	C	D	E	F	G	H	J	K	L
180	180	132	80	58	80	84	86	80	40	Ø14

**MATERIALS OF CONSTRUCTION**

Pump casing	bronze
Impeller	bronze
Shaft	stainless steel AISI316
Bearing housing	cast iron
Pump head bolts	stainless steel
O-ring static seal	nitrile rubber

Pump performance and specification are subject to alteration without notice

**AVAILABLE CLUTCHES** (ask for a data sheet)

Clutch Type	Pulley Pitch Dia	Pulley Belt Section	No of Belts	FP Code
MANUAL	125mm	SPA	1	<b>FP-94-8000211</b>
24v dc	130mm	SPA	2	<b>FP-94-8010327</b>

**FP PUMPS**

**PC32B14**

**1¼" BRONZE SELF-PRIMING SIDE CHANNEL PUMP**



- ◆ reliable continuous duty pump
- ◆ corrosion-resistant bronze, with stainless steel shaft
- ◆ self-priming up to 3.5m
- ◆ direction of flow can be reversed
- ◆ carbon-ceramic mechanical shaft seal

**BRONZE PUMPS**

for

**SEAWATER**

Xylem Water Solutions UK Ltd  
 Bingley Road  
 Hoddesdon  
 Hertfordshire • EN11 0BU • UK

Tel: +44 (0)1462 480380  
 Fax: +44 (0)1462 482422  
 mail@cleghorn.co.uk  
 www.jabscoshop.com

